

BREATHING AIR FILTER

set B-AIR™



DESCRIPTION

B-AIR™ point of use filter set has been specifically developed for high efficient preparation of top quality breathing air. On request B-AIR™ filter set can be supplied with wall mounting brackets, pressure regulator and quick couplings.

APPLICATIONS (1)

- Breathing air

(1) B-AIR™ filter housing can be used in variety of applications. For applications not listed please contact us or your local dealer.

TECHNICAL SPECIFICATION

Operating temperature	1,5 - 45 °C	35 - 113 °F
Operating pressure	0 - 16 bar(g)	0 - 232 psi

MATERIALS

Housing material	Aluminium
Fittings, Screws	Brass, Brass-zinc plated, Steel
Cover	ABS
Sealing	NBR
Corrosion protection	Electrophoretic Coating (KTL)
Outside protection	Powder paint coated (Epoxy-polyester base)
Lubricant	Shell cassida grease RLS 2
Endcaps	PA6
Filter media	Borosilicate micro fibres
Adsorption material	Activated carbon
Catalyst material	Hopcalite
Drainage media	Polyester
Bonding	Polyurethane
Support	Stainless Steel 1.4301

DIFFERENTIAL PRESSURE DROP

To reach required pressure drop reduce the flow.

It is strongly recommended to reduce the flow so that pressure drop on B-AIR is below 770 mbar.

FILTER ELEMENT SIZE	DIFFERENTIAL PRESSURE [mbar] AT % OF NOMINAL FLOW			
	25%	50%	75%	100%
07050 (XS+H ² +A ²)	60	120	190	240
14050 (XS+H ² +A ²)	76	150	236	300
12075 (XS+H ² +A ²)	80	160	250	320
22075 (XS+H ² +A ²)	230	460	700	920*
32075 (XS+H ² +A ²)	183	770*	1166*	1540*
50075 (XS+H ² +A ²)	706	1410*	2 126*	2880*

SIZES

FILTER SET	PIPE SIZE [inch]	FILTER ELEMENT	FLOW CAPACITY		DIMENSIONS [mm]				VOLUME [l]	WEIGHT [kg]
			[Nm ³ /h]	[scfm]	A	B	C	D		
B-AIR 0076	1/2"	07050 (XS+H ² +A ²)	78	46	190	268	21	60	4,0	2,8
B-AIR 0106	3/4"	14050 (XS+H ² +A ²)	120	70	260	268	21	130	5,7	2,9
B-AIR 0186	1"	12075 (XS+H ² +A ²)	198	116	262	379	37	130	12,9	7,5
B-AIR 0306	1"	22075 (XS+H ² +A ²)	335	197	362	379	37	220	18,1	8,7
B-AIR 0476	1 1/2"	32075 (XS+H ² +A ²)	510	300	462	379	37	320	23,5	9,6
B-AIR 0706	1 1/2"	50075 (XS+H ² +A ²)	780	459	642	379	37	500	33,3	11,8

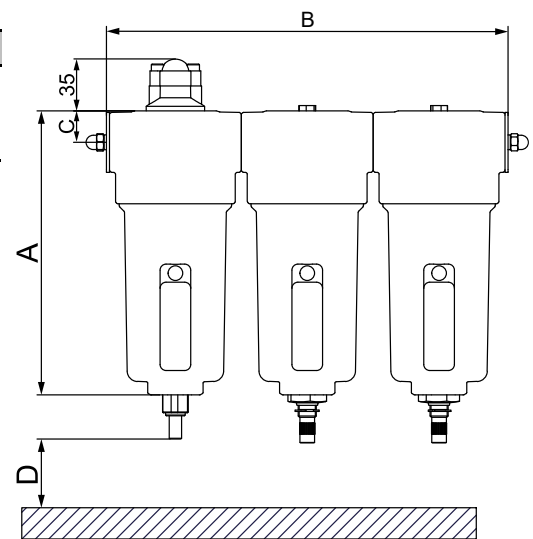
Flow capacity at 7 bar(g), 20°C

PRESSURE EQUIPMENT DIRECTIVE PED 2014/68/EU (Fluid group 2)

B-AIR 0076 – B-AIR 0106	Category 1, Module A
B-AIR 0186 – B-AIR 0706	Category 2, Module A2

IMPORTANT

- Differential pressure on B-AIR should never exceed 3000 mbar, otherwise filter elements can be damaged.



CORRECTION FACTORS

To calculate the correct capacity of a given filter based on actual operating conditions, multiply the nominal flow capacity by the appropriate correction factor(s).

CORRECTED CAPACITY = NOMINAL FLOW CAPACITY x C_{OP}

OPERATING PRESSURE

[bar]	2	3	4	5	6	7	8	9	10	11	12	13	14	15	16
[psi]	29	44	58	72	87	100	115	130	145	160	174	189	203	218	232
C _{OP}	0,38	0,5	0,63	0,75	0,88	1	1,13	1,25	1,38	1,50	1,63	1,75	1,88	2,00	2,13

MAINTENANCE

Replace filter elements at least every 3 months or sooner if. Change the sealing when you disassemble filter housing. Once per year make a visual check of filter housing and make sure there is no visual damage.

WARNING

Breathing air filter set B-AIR is not declared as CO₂ and CO removal filter. Despite that B-AIR comprises filter element which can reduce CO content.

INFORMATION IN THIS DOCUMENT IS SUBJECT TO CHANGE WITHOUT NOTICE

	Our quality management system is certified by BUREAU VERITAS in conformity with ISO 9001:2015	
--	---	--