

MAGY-UL filter drain

Magnetically operated zero air loss condensate drain

PRODUCT FEATURES

The MAGY removes condensate from compressed air filters. The operation is automatic and there is no compressed air lost during the condensate discharge cycle.

The MAGY uses magnetic forces to operate the direct acting valve assembly and is ideally suited in applications where power is not available, too expensive or not reliable.

The magnets have been specially selected to ensure that long lasting magnetism is guaranteed.



COMMERCIAL BENEFITS

- Extremely compact!
- Condensate discharge of all filters regardless of size or capacity.
- Clever servicing feature.
- Installation kit available.
- Many hundreds of thousands filters have unreliable float type drains – replace them all with a professional MAGY-UL.
- Personal branding opportunities are available.

TECHNICAL ADVANTAGES

- Zero air loss during the condensate discharge.
- No electricity required to operate the drain.
- Magnetically operated, long life magnets applied.
- Operating pressure range is 0 to 16 bar.
- Direct acting valve with FPM (Viton) seals.
- Robust corrosion resistant aluminium housing finished with an Electrophoretic coating.
- The direct acting valve is serviceable.
- Bottom (outlet) can be rotated 360 degrees for installation simplicity.

**No electricity
required.**

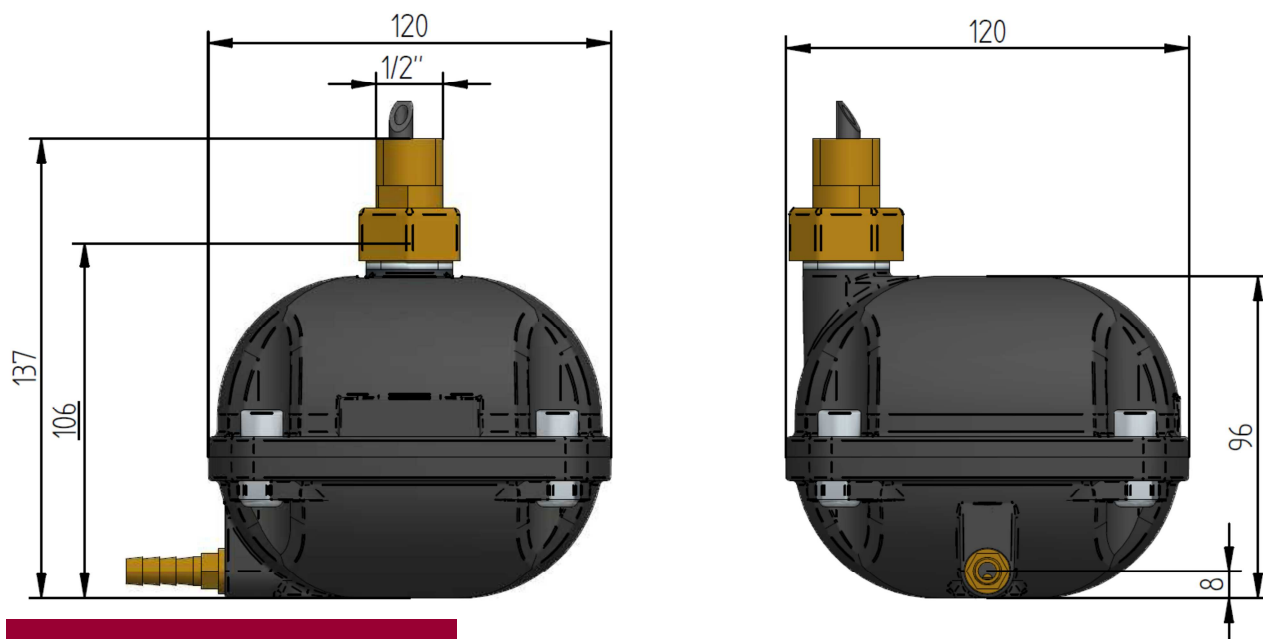
Opportunity!

Compressed air filters are generally supplied with an unreliable float type drain by the filter manufacturer, a decision based on cost. Replace the unreliable float type drain with a professional MAGY-UL and offer your customer an improved filter operation.

MAGY-UL filter drain

Magnetically operated zero air loss condensate drain

DIMENSIONS (MM)



SPECIFICATIONS

Maximum drainage capacity	Unlimited filter draining capacity
Inlet connection	1/2" BSP or NPT (please specific)
Outlet connection	1/4"
Minimum system pressure	0 bar
Maximum system pressure	16 bar
Minimum medium temperature	2° C
Maximum medium temperature	50° C
Valve orifice	2.0 mm
Type of operating valve	Stainless steel direct acting valve assembly
Valve seals	Viton (FPM)
Housing material	Corrosion resistant Aluminium (EP coated)



The filter pictured is an image offered to us courtesy of Walker Filtration Ltd. with the purpose of presenting the MAGY-UL under a filter. JORC does not sell filters.

Install a MAGY to ensure a reliable process of condensate draining on filters.

JORC is ISO 9001:2000 Certified

Information provided herewith is believed to be accurate and reliable. However, no responsibility is assumed for its use or for any infringement of patents or rights of others, which may result from its use. In addition, JORC reserves the right to revise information without notice and without incurring any obligation.

JORC Industrial BV
 Pretoriastraat 28
 6413 NN Heerlen
 The Netherlands

Phone: 0031 455 24 24 27
 Fax: 0031 455 24 19 79
 E-mail info@jorc.nl
 http:// www.jorc.eu