

## EZ-1

### Timer controlled condensate drain



#### PRODUCT FEATURES

The EZ-1 is designed to remove condensate from compressors, compressed air dryers and receivers up to any size, type or manufacturer.

The EZ-1 offers true installation simplicity at the lowest possible cost. The EZ-1 is a mass produced product available in various valve connection sizes and timer colour options.

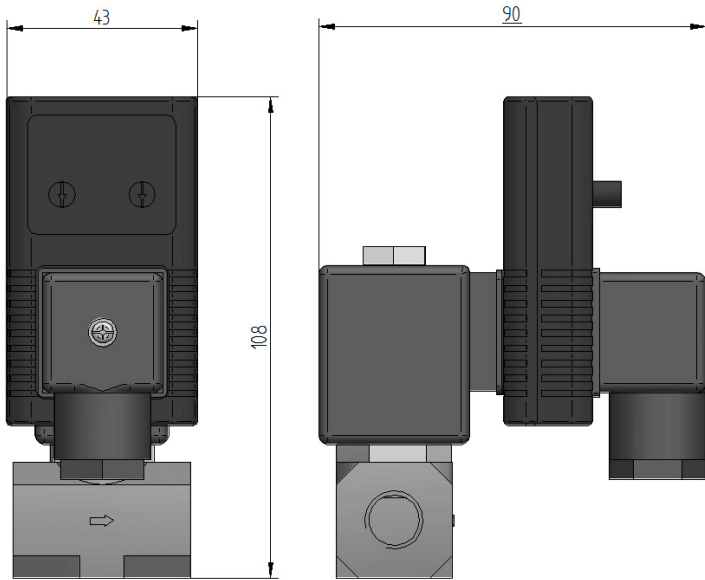
#### COMMERCIAL BENEFITS

- \* Does not air-lock during operation
- \* Compressed air systems up to any size
- \* The direct acting valve is serviceable
- \* Suitable for all types of compressors
- \* TEST (micro-switch) feature

#### TECHNICAL ADVANTAGES

- \* Simple to install
- \* Direct operated valve – not diaphragm type
- \* Medium pressure up to 16 bar
- \* Viton seals

**PRODUCT DIMENSIONS**



**PRODUCT SPECIFICATIONS**

Maximum compressor system capacity	Unlimited
Valve connection options	1/2", 3/8" and 1/4" BSP and NPT
Minimum system pressure	0 bar
Maximum system pressure	16 bar
Minimum medium temperature	2°C
Maximum medium temperature	50°C
Valve orifice	4.0 mm
Type of operating valve	Direct acting
Valve seals	FPM (Viton)
Installation enclosure	IP65/NEMA 4
Voltage range options	24 to 230VAC/DC 50/60 Hz.
Time cycle range (ON - OFF)	0.5/10 seconds – 0.5/45 minutes

**WHERE TO INSTALL**

