

SEPREMIUM® 2

Compressed air condensate separation

The SEPREMIUM range of oil/water separators separates oil from condensate, generated by compressed air systems. The SEPREMIUM achieves efficient separation of oil from condensate by means of directing the condensate through various separation stages.

Principle workings of the SEPREMIUM

As condensate flows in to the SEPREMIUM, the oil is filtered out through various filtration elements.

The oil adsorbing elements combine various types of adsorption technologies to achieve less than 10 ppm oil residue values at the output stage.

Clean and easy servicing procedure

The SEPREMIUM 2 drops in to its holding bracket (supplied as standard). Servicing involves disconnecting the inlet and outlet, removing the separator and placing the new unit in the holding bracket.

There are no separate elements and as such servicing is a quick and above all clean process.

TECHNICAL ADVANTAGES

- High performance filtration materials applied.
- Simple, fast and clean installation and maintenance procedure.
- Successful separation of mineral oil, synthetic lubricants and stable emulsions.
- Holding bracket included for wall mounting.
- Brass hose connections for quick and easy installation/servicing.

COMMERCIAL BENEFITS

- Operates with all JORC type drains (both timer controlled and level sensed).
- Special versions available for Ultra-Coolant*, Sigma Mol* and Roto-Inject* applications.
- Competitive pricing levels.
- Small footprint for easy handling and installation.
- Private labelling and colour options available, consult factory.

* Roto-inject, Ultra-Coolant and Sigma Mol are oil brands available in the market for compressor lubrication.



SEPREMIUM® 2

Compressed air condensate separation

SPECIFICATIONS

Target output value	<10 ppm
Maximum Oil adsorption	2 litres
Max. compressor capacity	2 m ³ /min (70 cfm)
Inlet connection	1/2"
Outlet connection	1/2"
TEST kit	Available
Housing material	ABS
Housing colour	Black
Lid colour	Dark grey

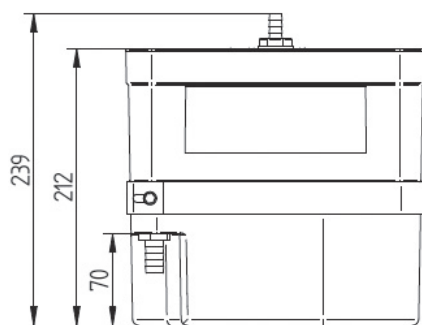
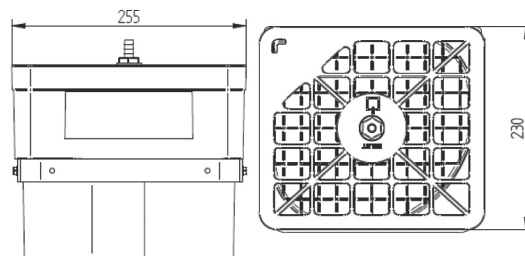
SEPARATION OF:

Mineral lubricants	yes
Synthetic lubricants	yes
Stable condensate emulsions	yes
Ultra-Coolant*, Sigma Mol*	yes
Roto-Inject*	yes

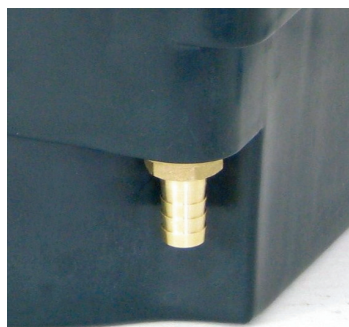
Consult factory for larger compressor capacities.

The SEPREMIUM 2 can be applied as a stand-alone item or as part of an integrated package of the compressor system. The compact size allows for easy installation inside compressor packages.

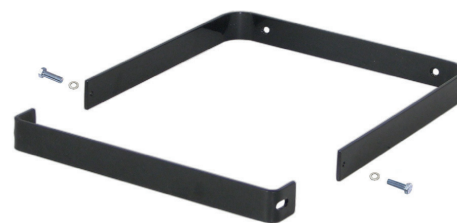
DIMENSIONS (mm)



Inlet connection



Outlet connection



Holding bracket

Information provided herewith is believed to be accurate and reliable. However, no responsibility is assumed for its use or for any infringement of patents or rights of others, which may result from its use. In addition, JORC reserves the right to revise information without notice and without incurring any obligation

JORC Industrial BV
 Pretoriastraat 28
 NL-6413 NN Heerlen
 The Netherlands

Tel +31 45 524 24 27
 Fax +31 45 524 19 79
www.jorc.eu
info@jorc.nl